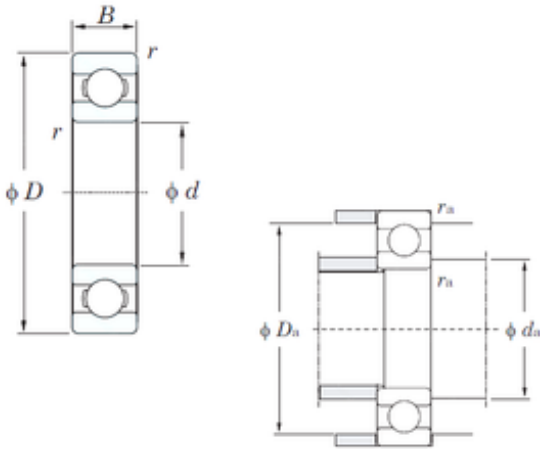




TIMKEN BEARING MFG.CORP



6306 Bearing 2D drawings and 3D CAD models

KOYO bearing 6306 6307 6308 6309 6310
bearing Deep groove ball bearing Koyo

Bearing No. 6306

| | |
|-------------------------------|--------------------------|
| Size | 30x72x19 mm |
| Bore Diameter | 30 mm |
| Outer Diameter | 72 mm |
| Width | 19 mm |
| d | 30 mm |
| D | 72 mm |
| B | 19 mm |
| C | 19 mm |
| r min. | 1,1 mm |
| da min. | 36,5 mm |
| Da max. | 65,5 mm |
| ra max. | 1 mm |
| Weight | 0,346 Kg |
| Basic dynamic load rating (C) | 26,7 kN |
| Basic static load rating (C0) | 15 kN |
| (Grease) Lubrication Speed | 9600 r/min |
| (Oil) Lubrication Speed | 12000 r/min |
| Category | Single Row Ball Bearings |
| Inventory | 0.0 |
| Manufacturer Name | KOYO |
| Minimum Buy Quantity | N/A |
| Weight / Kilogram | 0.383 |
| EAN | 0605790074257 |
| Product Group | B00308 |
| Enclosure | Open |



TIMKEN BEARING MFG.CORP

| | |
|---------------------------------|--|
| Precision Class | ABEC 1 ISO P0 |
| Maximum Capacity / Filling Slot | No |
| Rolling Element | Ball Bearing |
| Snap Ring | No |
| Internal Special Features | No |
| Cage Material | Steel |
| Internal Clearance | C0-Medium |
| Inch - Metric | Metric |
| Long Description | 30MM Bore; 72MM Outside Diameter; 19MM Outer Race Diameter; Open; Ball Bearing; ABEC 1 ISO P0; No Filling Slot; No Snap Ring; No Internal Special Features |
| Category | Single Row Ball Bearing |
| UNSPSC | 31171504 |
| Harmonized Tariff Code | 8482.10.50.68 |
| Noun | Bearing |
| Keyword String | Ball |
| Manufacturer URL | http://www.koyousa.com |
| Manufacturer Item Number | 6306 |
| Weight / LBS | 0.843 |
| Bore | 1.181 Inch 30 Millimeter |
| Outside Diameter | 2.835 Inch 72 Millimeter |
| Outer Race Width | 0.748 Inch 19 Millimeter |
| Bearing No. | 6306 |
| r(min) | 1.1 |
| Cr | 33.3 |
| C0r | 15.0 |
| Cu | 1.15 |
| f0 | 13.3 |
| Grease lub. | 9600 |
| | |



TIMKEN BEARING MFG.CORP

| | |
|------------------|-------|
| Oil lub. | 12000 |
| da(min) | 36.5 |
| Da(max) | 65.5 |
| ra(max) | 1 |
| (Refer.)Mass(kg) | 0.346 |