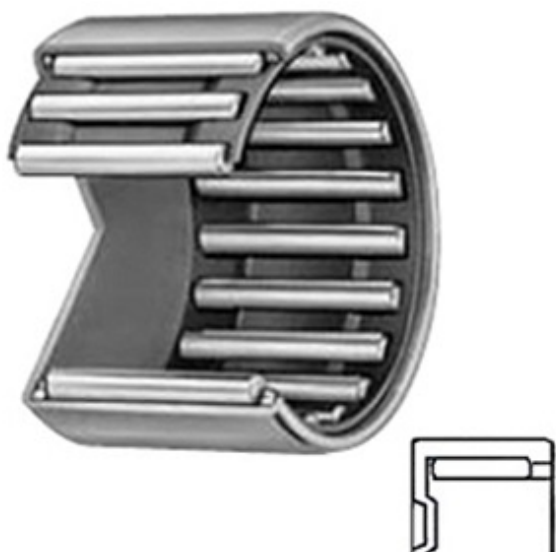




TIMKEN BEARING MFG.CORP



BAM4416 Bearing 2D drawings and 3D CAD models

2.75 Inch | 69.85 Millimeter x 3.125 Inch | 79.375 Millimeter x 1 Inch | 25.4 Millimeter IKO
 BAM4416 Needle Non Thrust Roller Bearings

Bearing No. BAM4416

Category	Needle Non Thrust Roller Bearings
Inventory	0.0
Manufacturer Name	IKO
Minimum Buy Quantity	N/A
Weight	0.169
EAN	4549557003103
Product Group	B04144
Rolling Element	Needle Roller Bearing
Component	Roller Assembly with Outer Ring - No Inner Ring
Enclosure	Open
Self Aligning	No
Retainer	Yes
Number of Rows of Rollers	Single Row
Separable	No
Closed End	Yes
Inch - Metric	Inch
Relubricatable	No
Thrust Bearing	No
Long Description	2-3/4" Bore; 3-1/8" Outside Diameter; 1" Width; Needle Roller Bearing; Roller Assembly with Outer Ring - No Inner Ring; Open Enclosure; No Self Aligning; Yes Retainer; Single Row of



TIMKEN BEARING MFG.CORP

	RoI
Other Features	1 Rib Outer Ring Drawn Cup Bearing
Category	Needle Non Thrust Roller Bearing
UNSPSC	31171512
Harmonized Tariff Code	8482.40.00.00
Noun	Bearing
Keyword String	Needle
Manufacturer URL	http://www.ikont.com
Manufacturer Item Number	BAM4416
Weight / LBS	0.373
B	1 Inch 25.4 Millimeter
D	3.125 Inch 79.375 Millimeter
d	2.75 Inch 69.85 Millimeter